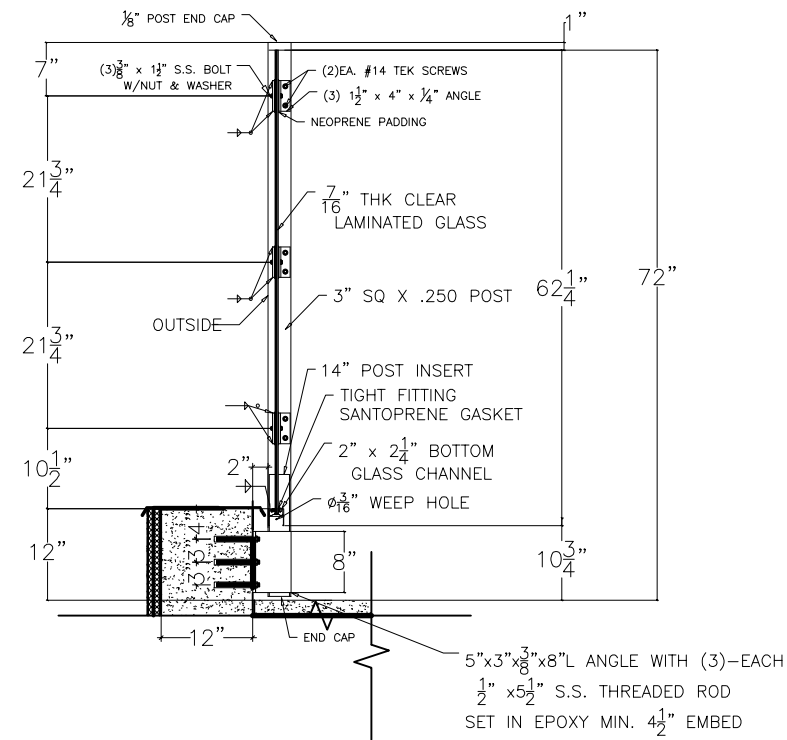


GLASS WINDSCREEN ELEVATION

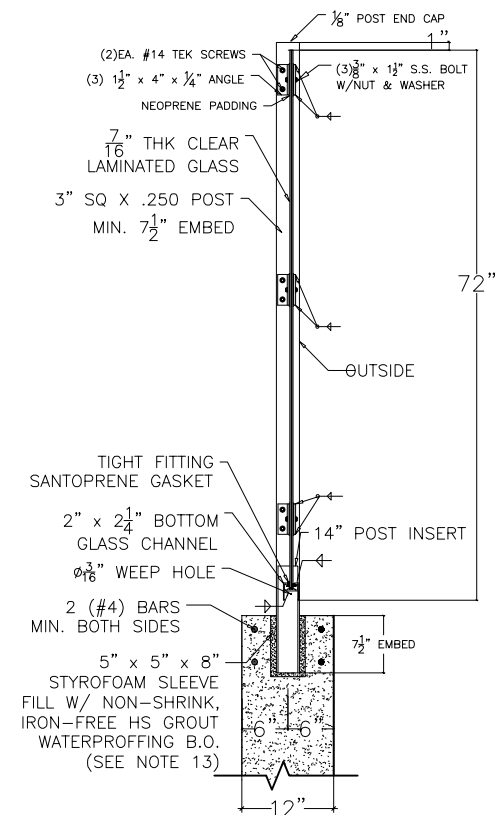
FOR DESIGN INTENT ONLY,
NOT FOR INSTALLATION!

NOTES:

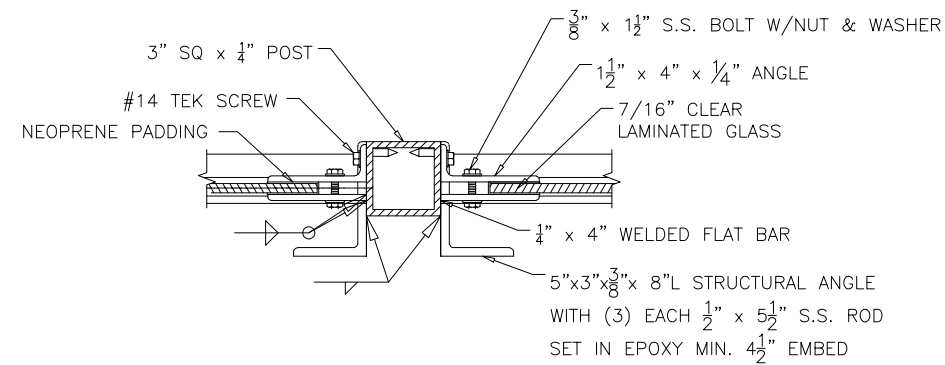
1. MATL: ALUMINUM EXTRUSIONS 6063-T5
POST EXTRUSIONS 6061-T6
2. FINISH: ESP BAKED POWDER COAT
3. COLOR: CUSTOMER TO SPECIFY
4. SHOP WELDED FABRICATION AND ASSEMBLY (U.N.)
5. FIELD VERIFICATION AND INSTALLATION BY WHITE ALUMINUM.
6. IRON-FREE, NON-SHRINK GROUT
7,000 PSI MIN.
7. ALL HARDWARE SHALL BE RUST RESISTANT AND COMPATIBLE.
8. MATERIAL SHALL BE AS REQUIRED BY DESIGN AND CALCULATIONS.
9. MATERIAL ORDER SHALL NOT COMMENCE UNTIL DRAWING APPROVAL BY CUSTOMER.
10. RAIL FABRICATION SHALL COMMENCE AFTER FIELD DIMENSIONS BY WHITE ALUMINUM.



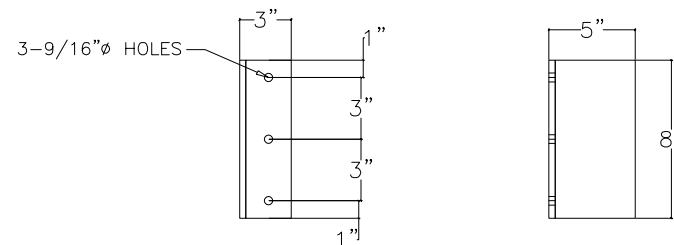
SECTION A



SECTION
SLEEVE-MOUNT



1 ANGLE/FLAT BAR DETAIL
N.A.



DRAWN BY: R. FRANKLIN	PROJECT:	SCALE: N.A.	DATE: 01/09/2020	DRAWING DESCRIPTION: GLASS WINDSCREEN SIDE-MOUNT
CHECKED BY: R. WHITE				CUSTOMER: DRAWING NUMBER: SAMPLE
				REV.:

WHITE
ALUMINUM FABRICATION, INC.

3497 S.E. LIDNELL TERR.
STUART, FL. 34997

TEL. 561-219-3245
FAX. 561-219-3246