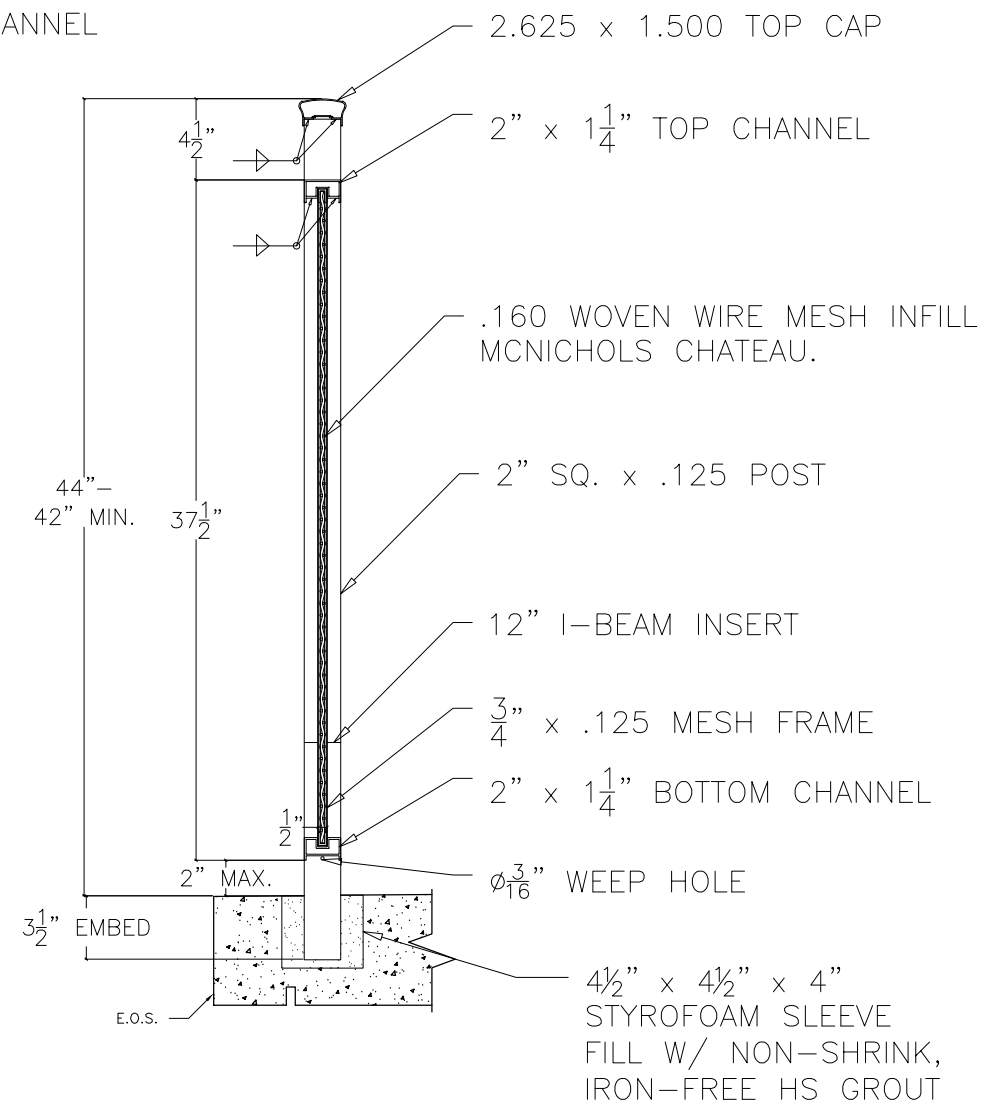
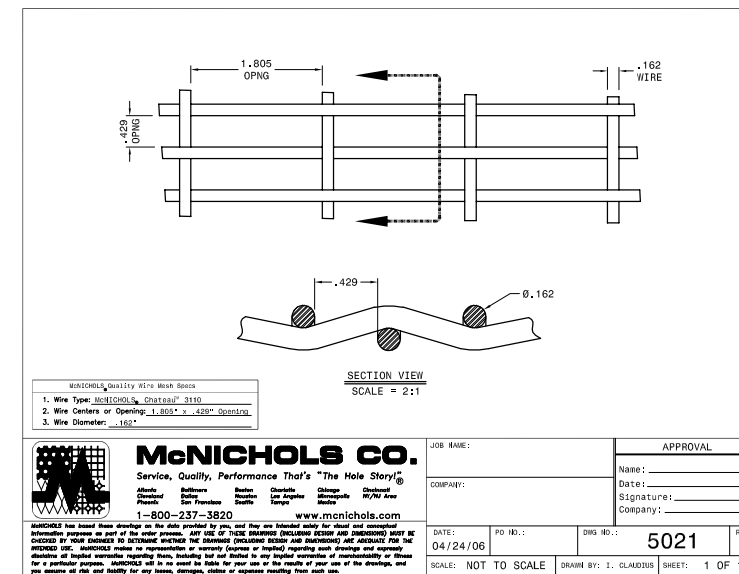


MESH RAIL ELEVATION

**FOR DESIGN INTENT ONLY,
NOT FOR INSTALLATION!**

NOTES:

- MATL: ALUMINUM EXTRUSIONS 6063-T5
POST EXTRUSIONS 6061-T6
- FINISH: ESP BAKED POWDER COAT
- COLOR: CUSTOMER TO SPECIFY
- SHOP WELDED FABRICATION AND ASSEMBLY (U.N.)
- FIELD VERIFICATION AND INSTALLATION BY WHITE ALUMINUM.
- IRON-FREE, NON-SHRINK GROUT
7,000 PSI MIN.
- ALL HARDWARE SHALL BE RUST RESISTANT AND COMPATIBLE.
- MATERIAL SHALL BE AS REQUIRED BY DESIGN AND CALCULATIONS.
- MATERIAL ORDER SHALL NOT COMMENCE UNTIL DRAWING APPROVAL BY CUSTOMER.
- RAIL FABRICATION SHALL COMMENCE AFTER FIELD DIMENSIONS BY WHITE ALUMINUM.



**SECTION A-A
(N.T.S.)**

DRAWN BY: R.F.	CHECKED BY: R.W.	PROJECT: CHATEAU MESH ELEVATION	DRAWING NUMBER: SAMPLE	REV.
WHITE ALUMINUM FABRICATION, INC. 3497 S.E. LIDNEL TERR. STUART, FL. 34997				
TEL. 561-219-3245				